

# HUSKY 100

MAXIMUM DOOR WEIGHT 100kg

## APPLICATIONS

- ▶ Ideally suited for room dividers and wardrobe doors.
- ▶ Designed with galvanised steel and aluminium track, with nylon rollers to ensure a smooth, quiet operation.
- ▶ Reliable and highly versatile sliding door hardware, using precision made components for a trouble free operation.
- ▶ Suitable for both timber and metal framed doors.
- ▶ The opening can be covered by one or a number of doors sliding to either side. Where the door travels more than its own width, a continuous bottom guide channel must be used with two guides per door.
- ▶ Flexible fixing options. The track may be fixed direct to the underside of the lintel (single or multiple runs) or face fixed with brackets.

## DOOR SPECIFICATION

|                 |  |
|-----------------|--|
| Max leaf weight | 100Kg  |
| Door thickness  | 20 - 50mm  |
| Door material   | Suitable for use with timber framed doors of flush, panelled or glazed construction. |

Metal doors should be lightly constructed of channel or angle framing, clad with sheeting as required.

## GEAR SPECIFICATION

|             |   |
|-------------|---|
| <b>Kits</b> | Husky 100 kits contain:   |
|             | Track- Steel (280) or mill finish aluminium (280A)                          |
|             | Face fixing brackets - Steel (281) or mill finish aluminium (281A)          |
|             | End and jointing bracket for aluminium kits - mill finish aluminium (281AX) |
|             | 2 nylon bodied, needle roller bearings 4-wheel hangers (284)                |
|             | Nylon guide (102N)  |
|             | Clip stop (601H)  |
|             | Track stop (287)  |
|             | Fitting instructions  |

| Maximum leaf size  | Weight | Kit number  |                 |
|--------------------|--------|-------------|-----------------|
|                    |        | Steel track | Aluminium track |
| 2700 x 800 x 50mm  | 100kg  | H100/15     | H100/15A        |
| 2700 x 950 x 50mm  | 100kg  | H100/18     | H100/18A        |
| 2700 x 1050 x 50mm | 100kg  | H100/20     | H100/20A        |
| 2700 x 1250 x 50mm | 100kg  | H100/24     | H100/24A        |

Refer to price list for part numbers

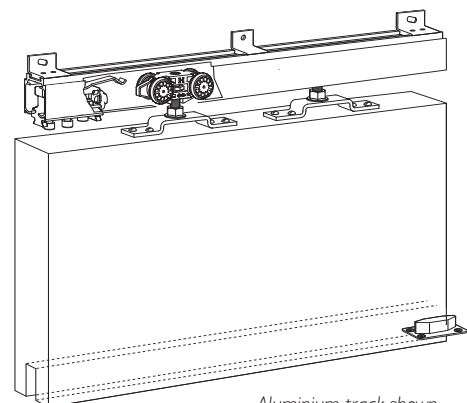
| Optional Extras                                 |                   |                          |
|---|-------------------|--------------------------|
| Anodised aluminium track                        |                   | 280AN - Standard lengths |
| Aluminium face fix bracket packs                |                   | 2815A (5 brackets)       |
|   |                   | 2818A (8 brackets)       |
| Steel bracket packs                             |                   | 2815 (5 brackets)        |
|   |                   | 2818 (8 brackets)        |
| Hanger for metal doors                          |                   | 285                      |
| Roller guide                                    |                   | 106N/94                  |
| Aluminium floor channel                         |                   | 94X                      |
| Satin anodised SA flush pull 100x48mm           | 400               |                          |
| Stainless steel SS flush pull 100x48mm          | 400SS             |                          |
| Polished stainless steel flush pull 100x48mm    | 400PSS            |                          |
| Satin anodised flush pull                       | 333               |                          |
| Mortice sliding door lock                       | 395               |                          |
| Fascia for aluminium track for doors up to 50mm | F134 (soffit fix) |                          |
|   | F140 (face fix)   |                          |
| Fascia for aluminium track for doors up to 25mm | F138 (soffit fix) |                          |
| Simultaneous Action Kit*                        | SIM100            |                          |

\*To be used in conjunction with two kits

## FOR SLIDING TIMBER & METAL DOORS

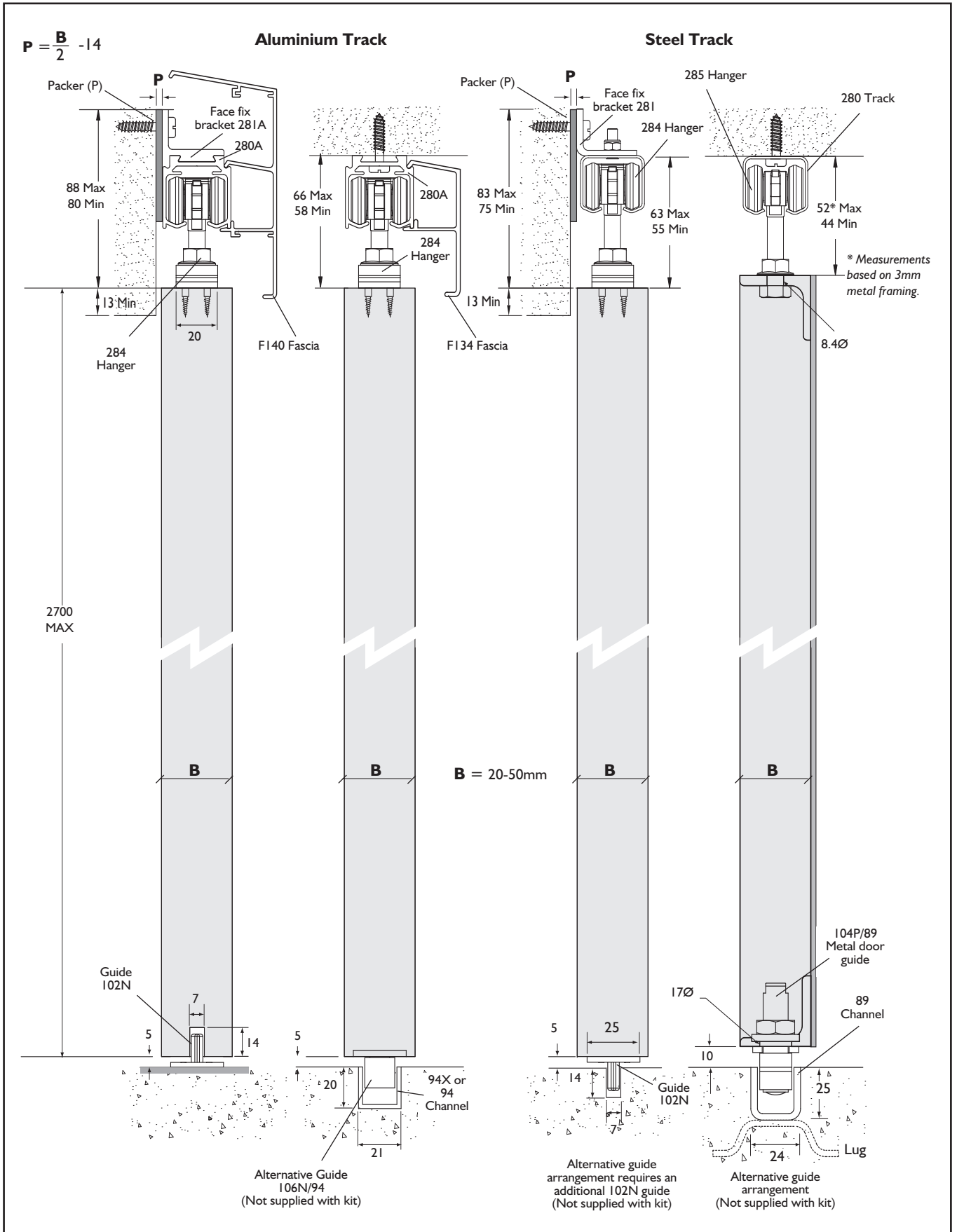


Two kits required



Aluminium track shown

# HUSKY 100



(All dimensions in mm)

## HENDERSON

P C Henderson Limited, Durham Road, Bowburn, County Durham DH6 5NG, UK. Web: [www.pchenderson.com](http://www.pchenderson.com)  
 UK Customer Services Department: Tel: +44 (0)191 377 7345 Fax: +44 (0)191 377 3116 Email: [sales@pchenderson.com](mailto:sales@pchenderson.com)  
 Export Department: Tel: +44 (0)191 377 7346 Fax: +44 (0)191 377 0755. Email: [international@pchenderson.com](mailto:international@pchenderson.com)  
 For all technical queries email our Technical Department: [technical@pchenderson.com](mailto:technical@pchenderson.com)