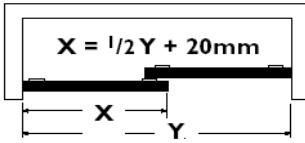
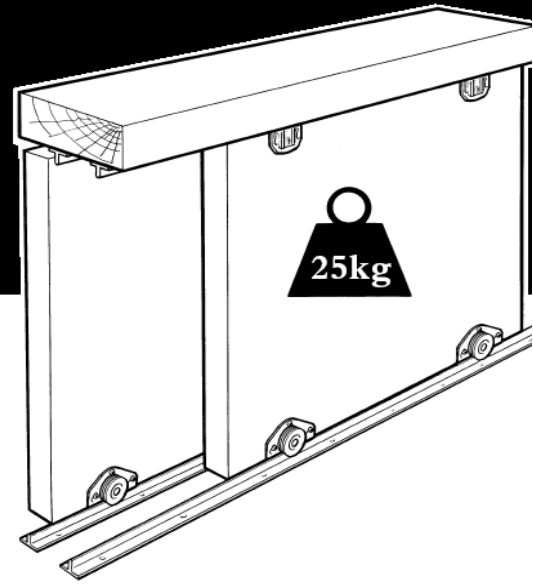


HENDERSON CELLO



- C15 → Y = 1500mm
- C18 → Y = 1800mm
- C24 → Y = 2400mm X = $\frac{1}{3} Y + 20\text{mm}$

