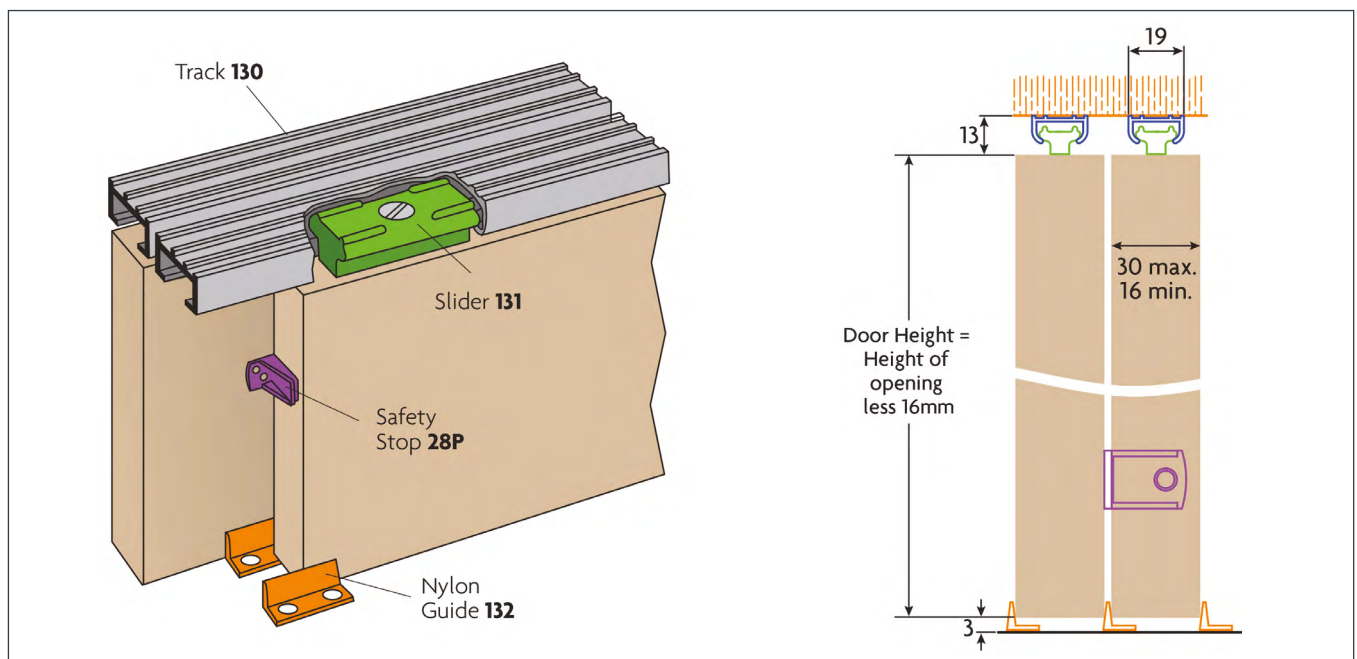


SLIPPER

For sliding wooden cupboard or hatch doors weighing up to 9kg



Slipper is ideally suited for hatches, cupboards and other items made from lightweight wood or chipboard. It supports a maximum door weight of 9kg, a maximum door width of 900mm and door thickness of between 16-30mm. Three kits are available giving a maximum opening width of 1800mm and the unit can easily be top fixed. The nylon sliders and aluminium track combine quiet and effortless operation, an appealing design and simple-to-remove doors for cleaning and decorating. A fittings kit is available for when an additional door is required.



Product Information

Kit Order Code	No. of Doors	Track Length	Max. Door Height	Max. Door Width	Door Thickness Range	Max. Door Weight
SS4	2	1200mm	1800mm	900mm	16 - 30mm	9kg
SS5	2	1500mm	1800mm	900mm	16 - 30mm	9kg
SS6	2	1800mm	1800mm	900mm	16 - 30mm	9kg
SS1	Fittings Kit to be used when an additional door is required					

Kit Contents

Component	Short Code
Track (x 2)	130/****
Sliders (x 4)	131
Stop (x 1)	28P
White Plastic Flushpull (x 2)	26P
Nylon Guide (x 4)	132

Accessories



1 Door Fittings Kit (SS1)

View our full range of door handles and flush pulls on pages 128 and 129.

**** replace by length of track for full short code

