



620 C Series



Gate closer 620 C

To make sure that the gates are closed at all times

Features:

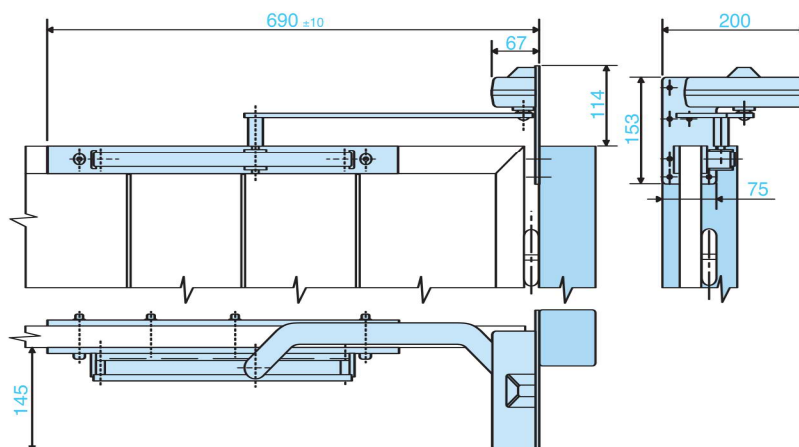
- Body in high duty cast iron.
- Fixed size EN1, for gate width up to 1000 mm.
- Two closing speeds independently controlled by thermostatic valves.
- Pinch free sliding arm & rail for safe use.
- Soft opening and strong closing.
- Suitable for gates with or without protruding bars.
- Extremely easy to install (No welding needed).
- Equipped with all mounting screws and accessories.
- Coated with strong resistance corrosion paint.
- Finish: Black.

Text specification:

Gate closer with sliding arm,
for gate width up to 1000 mm,
MAB 620 C series.



Technical drawing





680 C Series



Gate closer 680 C

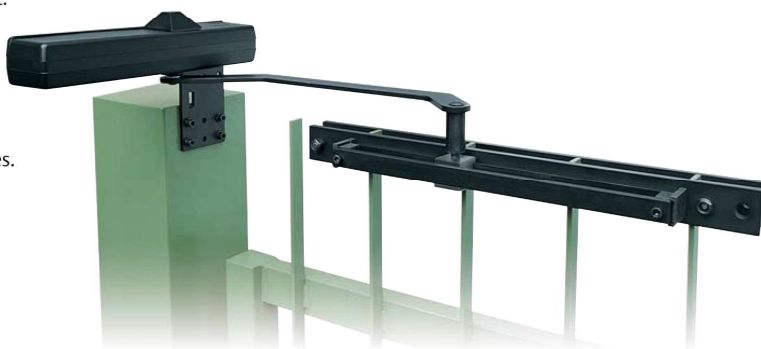
To make sure that the gates are closed at all times

Features:

- Body in high duty cast iron.
- Adjustable size EN1-3, for gate width up to 1400 mm.
- Two closing speeds independently controlled by thermostatic valves.
- Adjustable back check.
- Pinch free sliding arm & rail for safe use.
- Soft opening and strong closing.
- Suitable for Gates with or without protruding bars.
- Extremely easy to install (No welding needed).
- Equipped with all mounting screws and accessories.
- Coated with strong resistance corrosion paint.
- Finish: Black.

Text specification:

Gate closer with sliding arm and adjustable size EN1-3 and adjustable back check, for gate width up to 1400 mm, MAB 680 C series.



Technical drawing

