



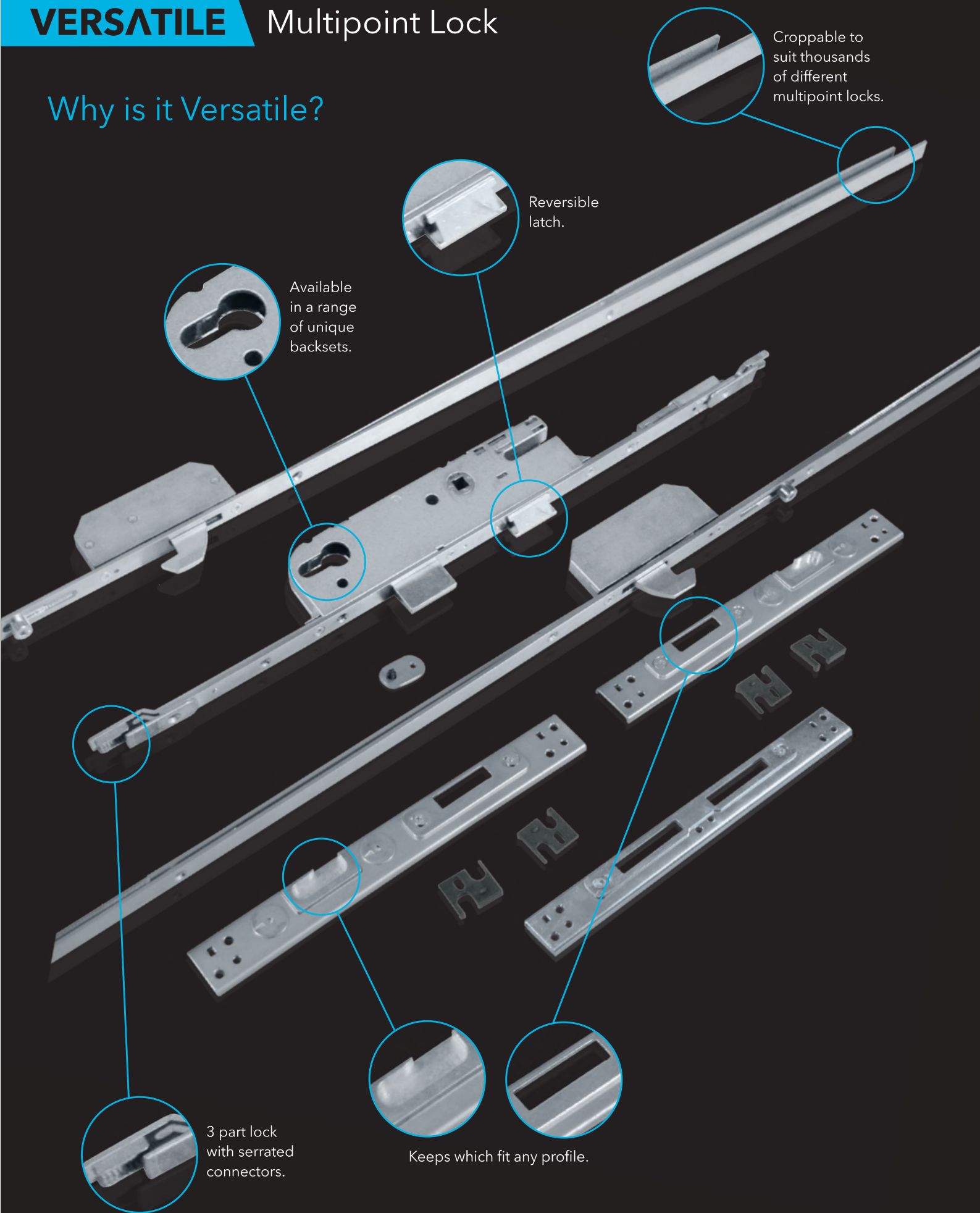
DOUBLE GLAZING REPAIR PRODUCT GUIDE

VERSA got it covered

VERSATILE

Multipoint Lock

Why is it Versatile?



Croppable to suit thousands of different multipoint locks.

Reversible latch.

Available in a range of unique backsets.

3 part lock with serrated connectors.

Keeps which fit any profile.

V-MPL Multi-fit Replacement Multipoint Lock

A high security, versatile 3 point locking system designed to replace the largest range of multipoint locks on the market.

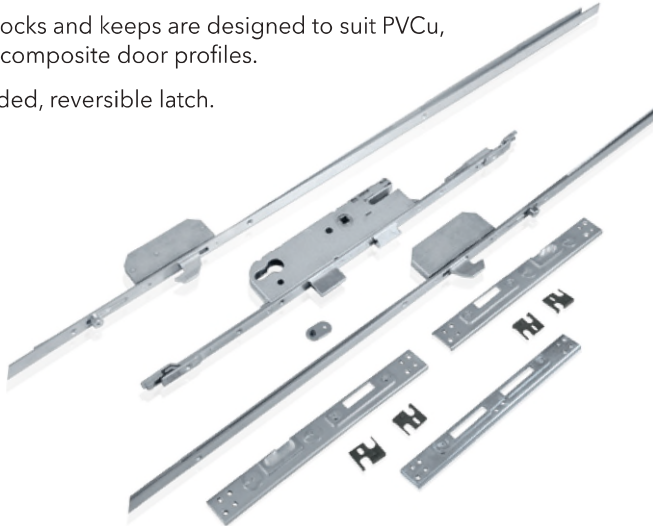
Supplied in 3 parts with serrated shoe connectors and croppable extensions for ultimate flexibility.

Available in 25mm, 28mm, 30mm, 35mm, 40mm and 45mm backsets and 16mm and 20mm faceplates.

Can be cropped to replace the majority of multipoint locks in the UK market.

Specific locks and keeps are designed to suit PVCu, wood or composite door profiles.

Non handed, reversible latch.



Specifications

BACKSET: 25mm, 28mm, 30mm, 35mm, 40mm or 45mm

CENTRES: 92mm

SPINDLE: Either solid or split for nightlatch applications

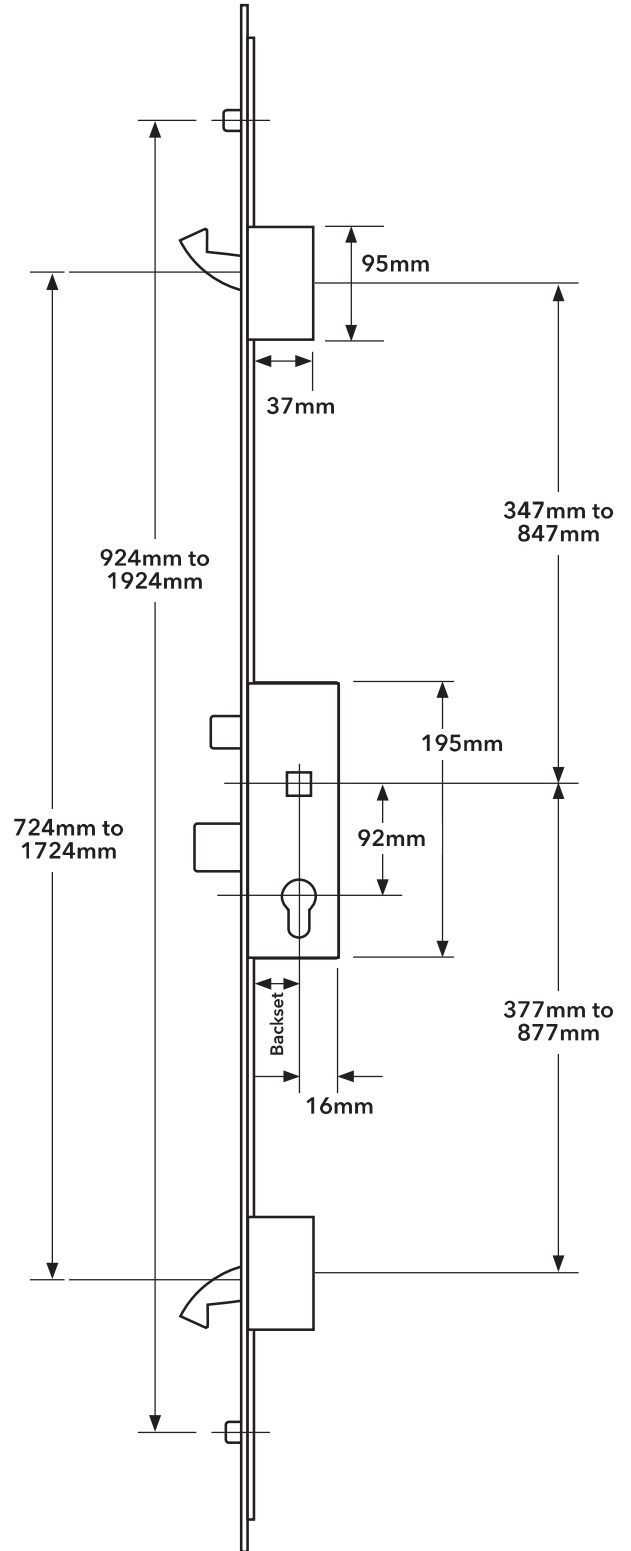
FACEPLATE: Either 16mm or 20mm

SIZES: Will replace locks with:

	MAX	MIN
- Distance from spindle to top hook	847mm	347mm
- Distance from spindle to bottom hook	877mm	377mm

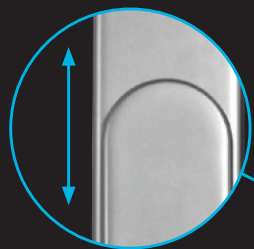
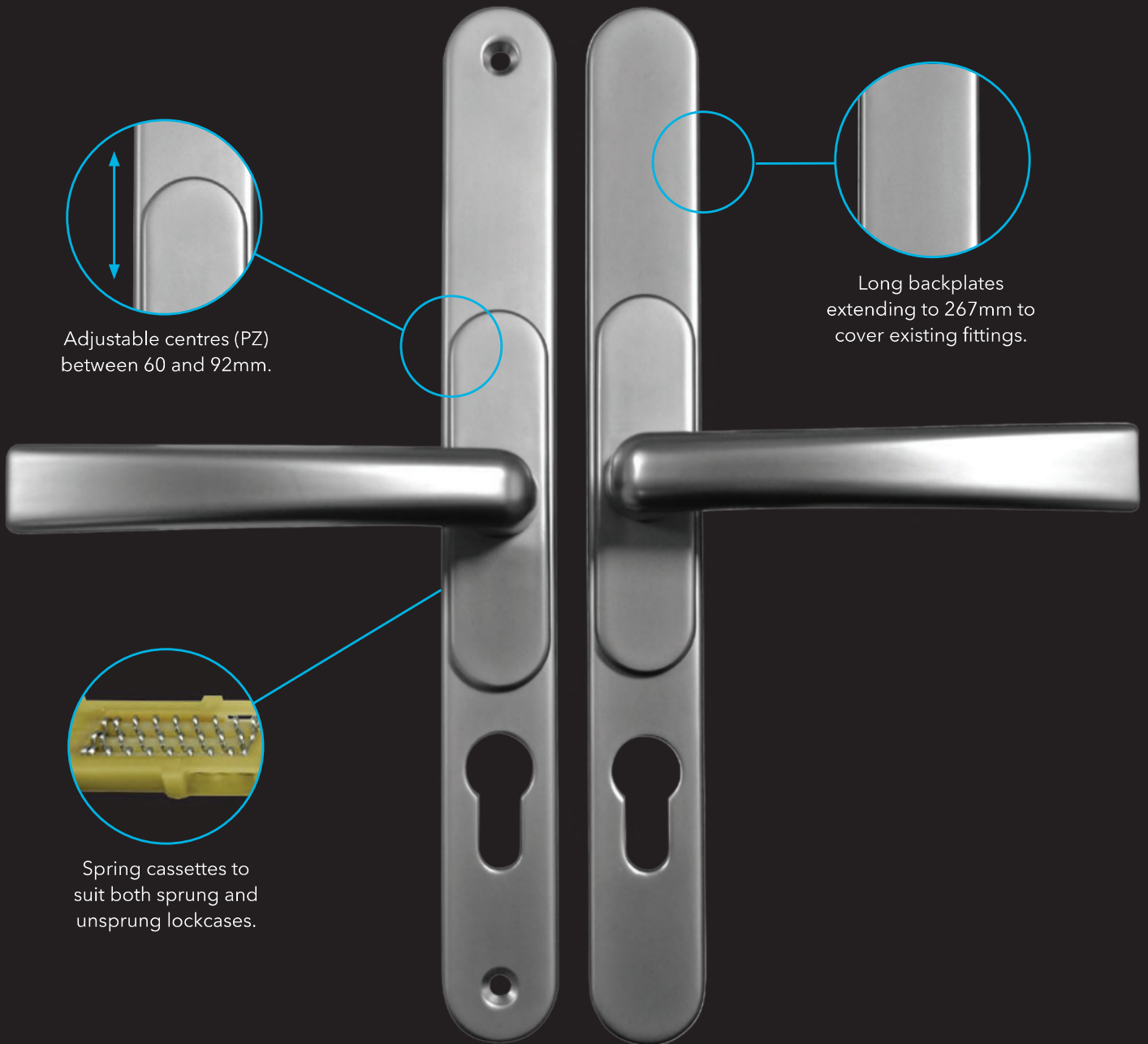
Detailed Specification

- Central deadbolt with 20mm projection when thrown.
- Adjustable roller cams optimise gasket pressure for better heat and sound insulation.
- Hooks with hardened steel inserts provide enhanced protection against attack.
- Adjustable packers means that keeps fit any profile.
- All locks are supplied with a centre section, 2 extension pieces, keeps to suit and packers for PVCu profiles.

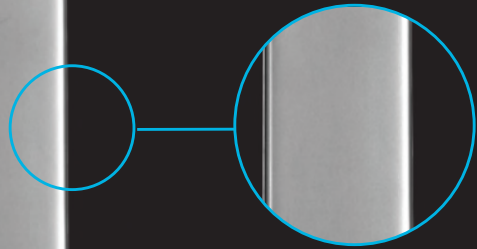


VERSA Part	Description	Backset	Spindle	Faceplate
V-MPL25	3 part repair lock with 2 hooks, 2 rollers and PVCu keeps	25mm	Lift lever	16mm
V-MPL28	3 part repair lock with 2 hooks, 2 rollers and PVCu keeps	28mm	Lift lever	16mm
V-MPL30	3 part repair lock with 2 hooks, 2 rollers and PVCu keeps	30mm	Lift lever	16mm
V-MPLSS35	3 part repair lock with 2 hooks, 2 rollers and PVCu keeps	35mm	Split spindle or lift lever	16mm
V-MPL40	3 part repair lock with 2 hooks, 2 rollers and PVCu keeps	40mm	Lift lever	16mm
V-MPLSS45	3 part repair lock with 2 hooks, 2 rollers and PVCu keeps	45mm	Split spindle or lift lever	16mm
V-MPLT45	3 part repair lock with 2 hooks and keeps	45mm	Split spindle or lift lever	20mm

Why is it Versatile?



Adjustable centres (PZ) between 60 and 92mm.



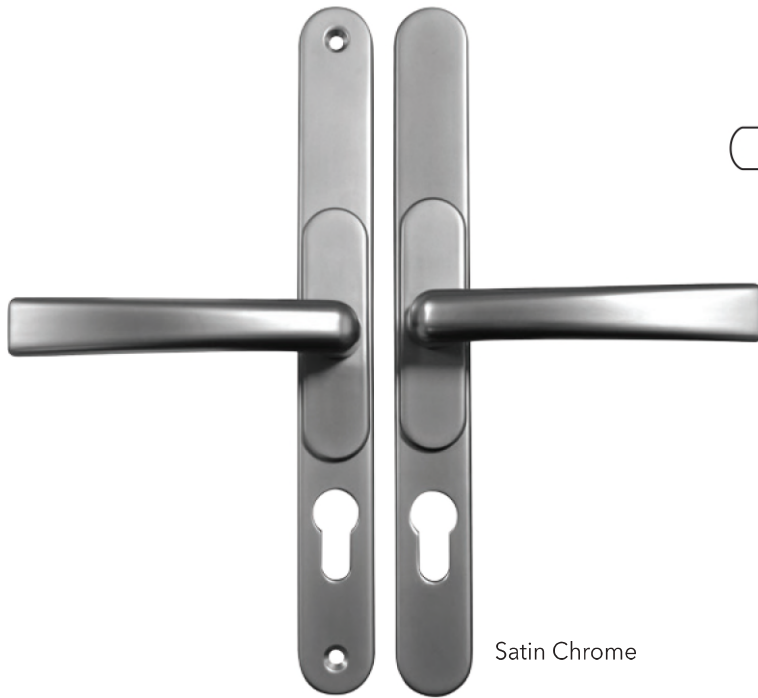
Long backplates extending to 267mm to cover existing fittings.



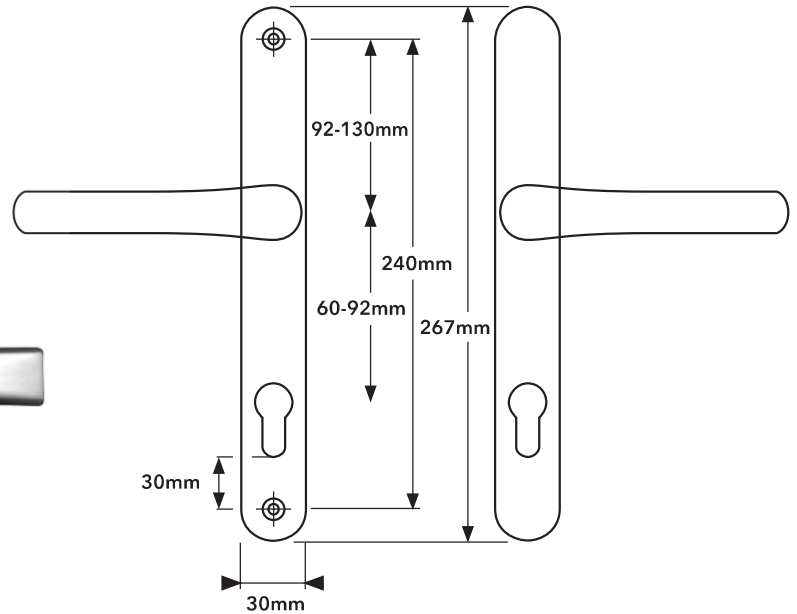
Spring cassettes to suit both sprung and unprung lockcases.

V-HANDLE Retrofit Door Handle for Multipoint Locks

A truly versatile multipoint lock door handle that will replace the majority of existing handles on the market. The handles slide to vary the PZ to suit the lock concerned.

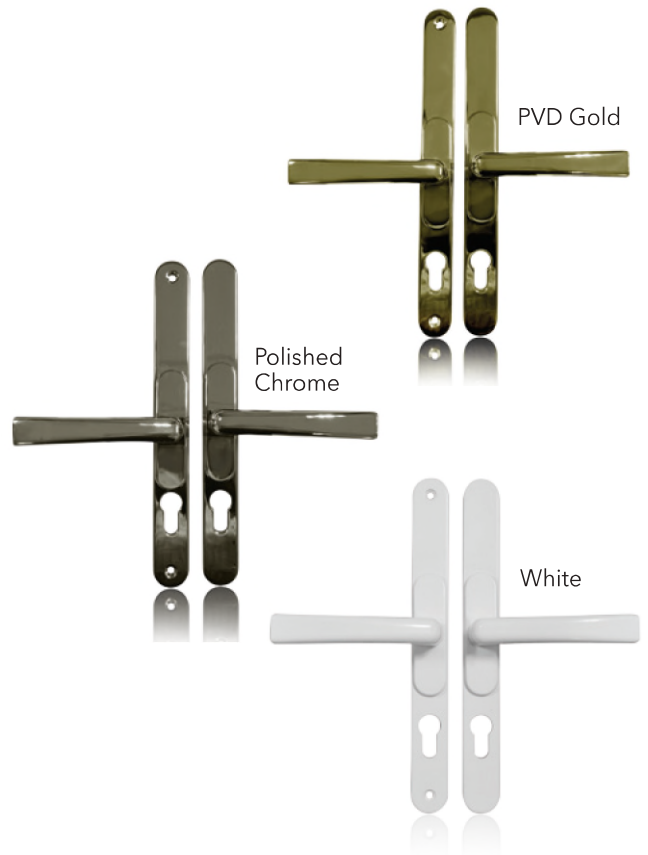


Satin Chrome



Specification

- Available in white, polished chrome, PVD gold and satin chrome.
- Adjustable between 60mm and 92mm PZ.
- Suits both solid spindle lift lever and split spindle functions.
- Split spindles and spindle converters are available to suit.



Polished Chrome

PVD Gold

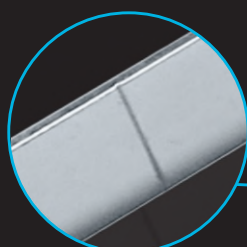
White

VERSA Part	Description	Finish	PZ (Centres)	Screw Centres
V-HAN92W	Sprung handle with adjustable PZ	White	60-92mm	240mm
V-HAN92C	Sprung handle with adjustable PZ	Polished Chrome	60-92mm	240mm
V-HAN92S	Sprung handle with adjustable PZ	Satin Chrome	60-92mm	240mm
V-HAN92B	Sprung handle with adjustable PZ	PVD gold	60-92mm	240mm

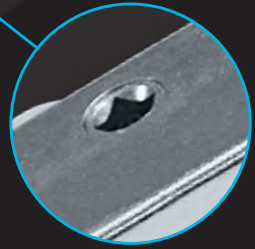
VERSATILE

Window Espagnolette

Why is it Versatile?



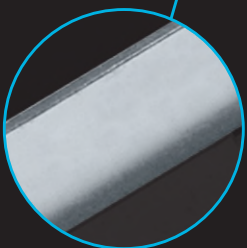
Can be cropped to replace espags between 400mm and 1000mm.



Available in either 21mm or 25mm backset.



Can be converted from inline to offset.



Available in both 13mm and 16mm faceplate widths.

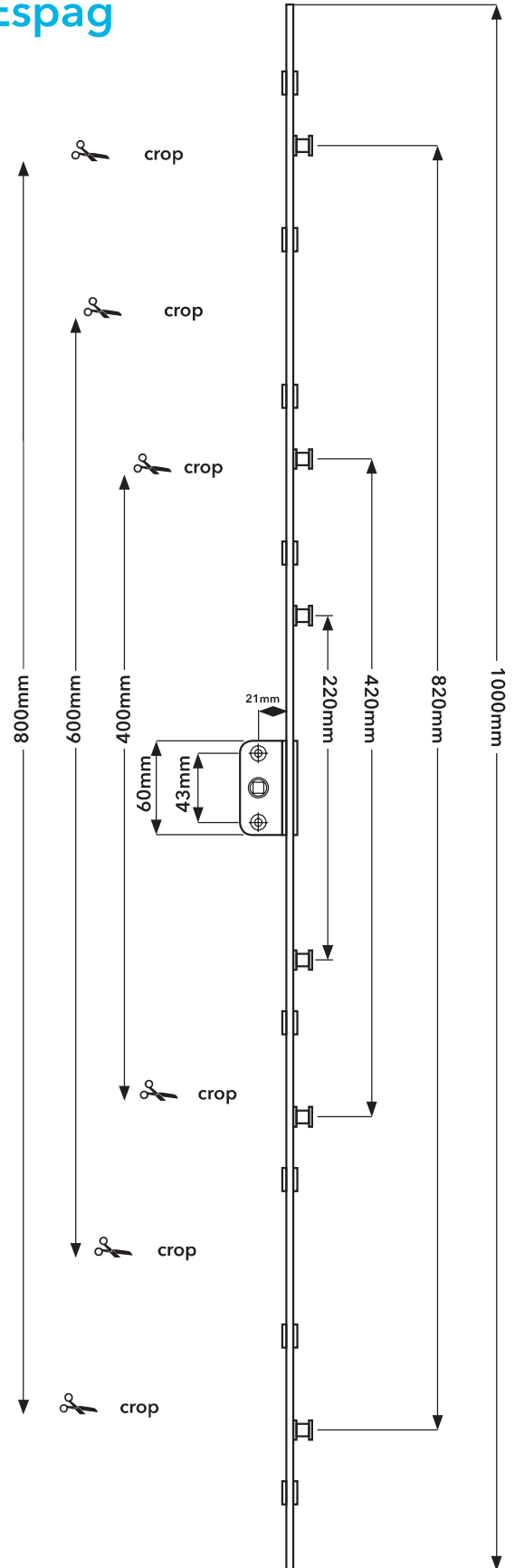
V-ESPAG Retrofit Window Espag

A unique replacement espag system that will retrofit nearly every window espag on the market with a clever croppable design.



Specification

- Available as either 21mm or 25mm backset.
- Available with either a slim line 13mm faceplate or a standard 16mm faceplate.
- Easily convert to offset from inline by unscrewing the packing piece.
- Simply crop to the desired length for quick and easy installation.
- Special fixing tabs allow the plate to move, rather than the rollers.
- Universal keeps are available to suit
(See accessories page 15 - UNIRMKEEP)

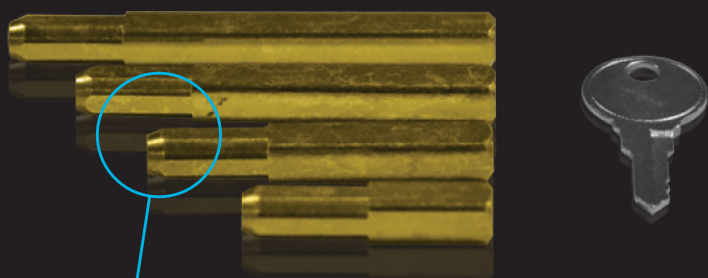


VERSA Part	Description	Backset	Max Length	Min Length	Faceplate
V-ESP21	Croppable window espag with up to 6 rollers	21mm	1000mm	400mm	16mm
V-ESP25	Croppable window espag with up to 6 rollers	25mm	1000mm	400mm	16mm
V-ESPSL21	Croppable window espag with up to 6 rollers	21mm	1000mm	400mm	13mm
V-ESPSL25	Croppable window espag with up to 6 rollers	25mm	1000mm	400mm	13mm

VERSATILE

Window Espag Handle

Why is it Versatile?



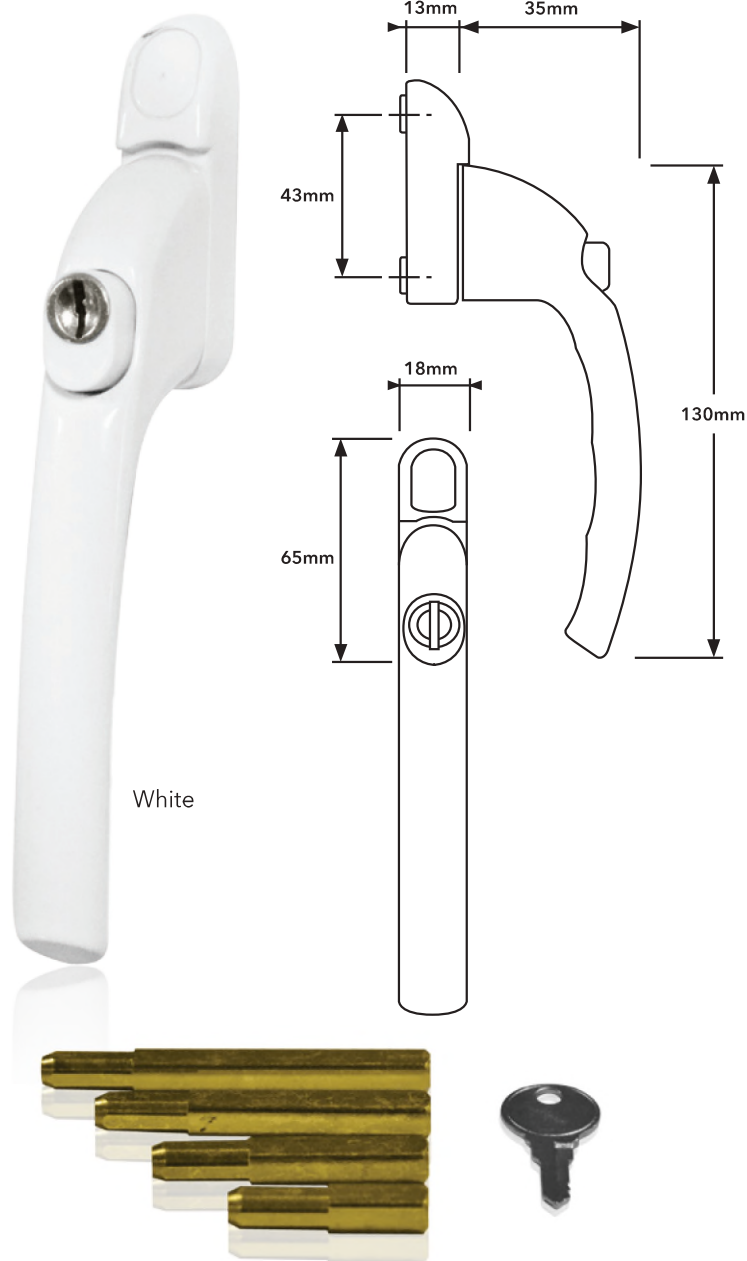
Magnetic interchangeable spindles mean no more cutting is required.

V-WIN Retrofit Window Espag Handle

The V-Win Espag Handle features unique removable spindles that mean that spindles no longer need to be cut down on site. Simply select the correct sized spindle, insert into the back of the handle where it will be held in place by a strong magnet and fit to the window.

Specification

- Supplied with 4 spindles, measuring 15mm, 30mm, 43mm and 55mm.
- Available in PVD gold, white, satin chrome, black and polished chrome.
- Supplied with 1 key and quick-cut retaining bolts.
- Also available bulk packed (white only) with spindles supplied separately.
- Built-in 90° stop to prevent excessive force on the espagnolette gearbox.
- Metallised screw covers on all plated versions.
- High quality zinc die cast construction.

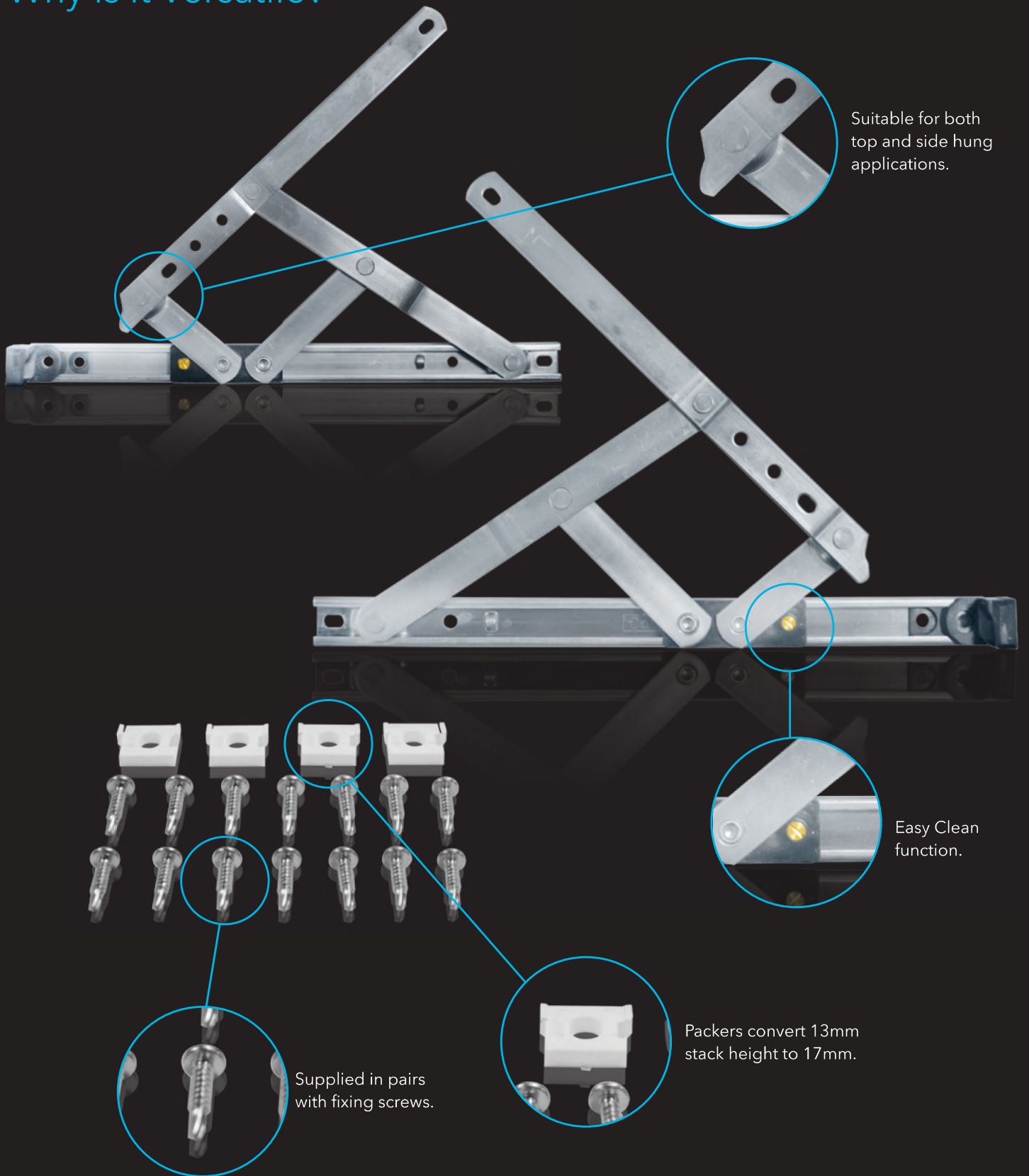


VERSA Part	Description	Finish
V-WINW	Window espag handle with 4 spindles (15, 30, 43 and 55mm)	White
V-WINC	Window espag handle with 4 spindles (15, 30, 43 and 55mm)	Polished Chrome
V-WING	Window espag handle with 4 spindles (15, 30, 43 and 55mm)	PVD gold
V-WINS	Window espag handle with 4 spindles (15, 30, 43 and 55mm)	Satin Chrome
V-WINBL	Window espag handle with 4 spindles (15, 30, 43 and 55mm)	Black
V-WINTPW	Trade pack of 20 window handles with no spindles supplied	White
V-SPIN10	Pack of 20 10mm spindles	
V-SPIN15	Pack of 20 15mm spindles	
V-SPIN20	Pack of 20 20mm spindles	
V-SPIN30	Pack of 20 30mm spindles	
V-SPIN43	Pack of 20 43mm spindles	
V-SPIN55	Pack of 20 55mm spindles	
V-WINFIX	Pack of 20 quick crop window bolts	

VERSATILE

Friction Stay

Why is it Versatile?



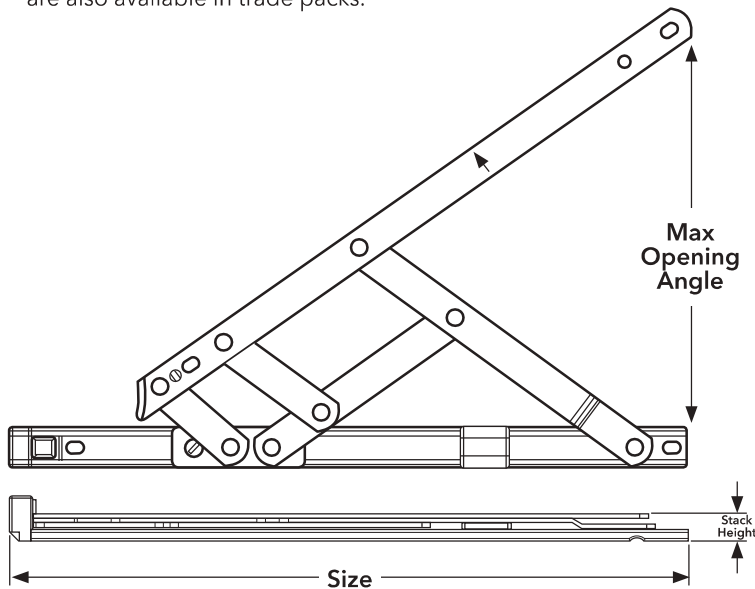
V-STAY Retrofit Friction Stay



A range of friction hinges for either top or side hung windows that can be quickly changed from 13mm to 17mm stack heights with easy clean functionality built in and conveniently packaged in pairs with screws.

Specification

- 12" and 16" versions suit both top and side hung windows.
- All stays are supplied with 4mm packers to convert 13mm stays to a 17mm stack height.
- Supplied with self tapping repair friction stay screws.
- Easy clean functionality built in as standard.
- Tested to over 30,000 cycles.
- Manufactured from Ferritic steel.
- Supplied bagged in pairs with packers and screws but stays are also available in trade packs.



VERSA Part	Description	Size	Stack Height	Window Width	Window Height	Weight	Opening Angle
V-STAY8	Pair of top hung friction stays with packers and screws	8" (209mm)	13mm or 17mm	1200mm	300mm	10kg	62°
V-STAY10	Pair of top hung friction stays with packers and screws	10" (259mm)	13mm or 17mm	1200mm	450mm	16kg	62°
V-STAY12	Pair of top or side hung friction stays with packers and screws	12" (310mm)	13mm or 17mm	1200mm (top hung) 600mm (side hung)	600mm (top hung) 1200mm (side hung)	21kg (top hung) 24kg (side hung)	86°
V-STAY16	Pair of top or side hung friction stays with packers and screws	16" (412mm)	13mm or 17mm	1200mm (top hung) 700mm (side hung)	750mm (top hung) 1300mm (side hung)	22kg (top hung) 26kg (side hung)	83°
V-STAY20	Pair of top hung friction stays with packers and screws	20" (513mm)	13mm or 17mm	1200mm	900mm	24kg	42°
V-STAY24	Pair of top hung friction stays with packers and screws	24" (615mm)	13mm or 17mm	1200mm	1500mm	50kg	38°

Universal Latch & Deadbolt Strike



Universal latch and deadbolt strike designed to work with all major multipoint lock brands regardless of the door profile.

VERSA Part	Part Description
V-CENSTRIKE	Single latch and deadbolt keep

- Special packers allow the keep to suit a range of different PVCu profiles.
- Supplied with packers and grub screws.

Universal Hook & Roller Keeps

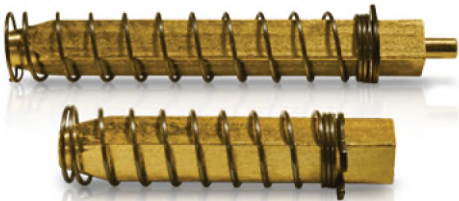


A pair of universal hook and roller keeps designed to work with the V-MPL regardless of the door profile.

VERSA Part	Part Description
V-HRSTRIKE	Pair of hook and roller keeps

- Special packers allow the keep to suit a range of different PVCu profiles.
- Supplied with packers and grub screws.
- Supplied as a non handed pair of keeps.

Split Spindles



Split spindle designed to allow the V-MPL to work with a nightlatch function.

VERSA Part	Part Description
V-SPLITSPIN	8mm x 130mm split spindle

- 8mm diameter.
- 130mm long.

Replacement 4mm Packers



Replacement 4mm packers to convert 13mm friction hinges to 17mm stack height.

VERSA Part	Part Description
V-FSPACK	Pack of 20 4mm packers

- Supplied in a bag of 20 packers.

Replacement Window Handle Buttons



Replacement buttons to suit the V-WIN that allow quick conversion to non locking, egress and black buttons.

VERSA Part	Part Description
V-WBUTNLW	Non locking white button insert
V-WBUTNLG	Non locking egress green button insert
V-WBUTLBL	Locking black button insert
V-WBUTLW	Locking white button insert

- Buttons can be changed in less than 10 seconds by unclipping from the inside of the handle

Spindle Sleeves

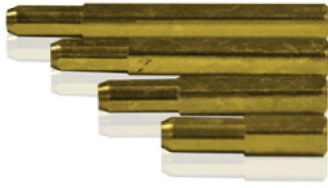


A sleeve used to increase the thickness of a spindle.

VERSA Part	Part Description
SPINDLESLEEVE58	5-8mm convertor
SPINSLEEVE	7-8mm convertor
SPINSLEEVE9	8-9mm convertor
SPINSLEEVE10	8-10mm convertor

- Available in a variety of sizes

Universal Window Handle Spindles

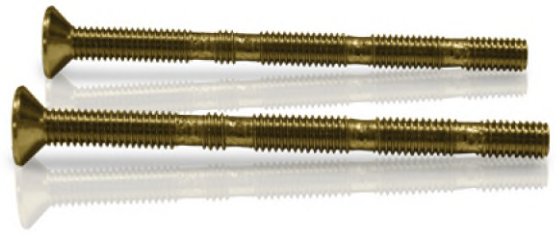


Replacement window handle spindles designed to suit the V-WIN available in a range of lengths.

VERSA Part	Part Description
V-SPIN10	Pack of 20 10mm spindles
V-SPIN15	Pack of 20 15mm spindles
V-SPIN20	Pack of 20 20mm spindles
V-SPIN30	Pack of 20 30mm spindles
V-SPIN43	Pack of 20 43mm spindles
V-SPIN55	Pack of 20 55mm spindles

- Spindles are magnetic to suit the V-WIN.

Replacement Window Handle Bolts



Replacement bolts for window handles featuring notches for easy cutting.

VERSA Part	Part Description
V-WINFIX	Pack of 20 window bolts

Replacement Door Handle Fixing Kit



A replacement handle fixing kit to replace missing spindles and screws.

VERSA Part	Part Description	Finish
V-FIXKITW	x2 screws and 8mm spindle	White
V-FIXKITG	x2 screws and 8mm spindle	Gold
V-FIXKITS	x2 screws and 8mm spindle	Silver

- Supplied as a pair of screws and one spindle.

Replacement Window Key



Replacement window keys to suit the V-WIN range of window handles.

VERSA Part	Part Description
V-WINKEY	Window key

- Keys are pre-cut and are not specific to individual handles.

Universal Roller or Mushroom Keep



Universal roller or mushroom keeps to suit the V-ESPAG.

VERSA Part	Part Description
UNIRMKEEP	Roller/Mushroom Keep

- Length: 65mm
- Width: 18mm
- Fixing centres: 53mm
- Size of keep: 40mm x 18mm

PVCU Repair Screws



Box of PVCU repair screws.

VERSA Part	Part Description
SFS25	Box of 50 screws
SFS251000	Box of 1000 screws

- Diameter: 4.8mm
- Length: 25mm



www.versahardware.com

Exclusively distributed in the UK by:



3 Commerce Park, 19 Commerce Way, Croydon, CR0 4YL

Web: www.duffells.com

Email: enquiries@duffells.co.uk

Tel: 0208 662 4010