

Architectural Slimline Overhead Door Closer

ICK1953 Size 2-4



Product Overview:

An efficient, durable and stylish variable power overhead door closer. Suitable for most applications particularly those with constant use which require a backcheck function.



Testing & Standards:

- CE marked against EN 1154
- Included in successful fire test to EN1634
- Suitable for use on timber fire doors of up to 120 minutes fire resistance
- Safe in use
- High corrosion resistance

Specification

Closing force (Fig 1)	EN Size	2-4
Door Size (max)	Width (mm)	1100
	Weight (kg)	80
Body Dimensions	Length (mm)	248
	Width (mm)	59
	Depth (mm)	42
Application	Regular Fig. 1	Yes
	Parallel Arm Fig. 6	Yes*
	Transom Fig. 61	Yes*
Mechanism	Rack & Pinion	Yes
Power Shoe Bracket		Yes
Angle of Opening		180°
Non Handed		Yes
Power Adjustment by Spring		Yes
Power Adjustment by Position		No
Adjustable Sweep Speed		Yes
Adjustable Latch Speed		Yes
Adjustable Backcheck		Yes
Adjustable Delayed Action		No
Guarantee		25

Options

Architrave Brackets	No
Drop Plates	No
Hold-Open Arm (not suitable for use on fire doors)	Yes*
Slide Arm & Track	No
Hollow Door Fixing Pack	No
Saddle Bracket for Glass Door Installation	No
Upstand Bracket for Over Panel or UPVC Door	No

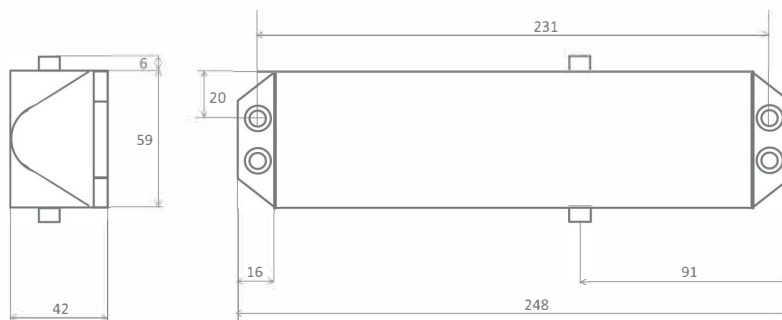
Cover Options

Radius Edge	No
Semi-Radius	Yes
Full Radius	No
Square	No

Finish Options

Cover & Matching Armset	SIL, SSS, PSS, PB, RAL, BRONZE
-------------------------	--------------------------------

* these options are not covered by CE



Doorfit Products Ltd.

Icknield House, Heaton Street, Birmingham B18 5BA

Call us 0121 523 4171

Email us info@doorfit.co.uk Visit us www.doorfit.co.uk

