

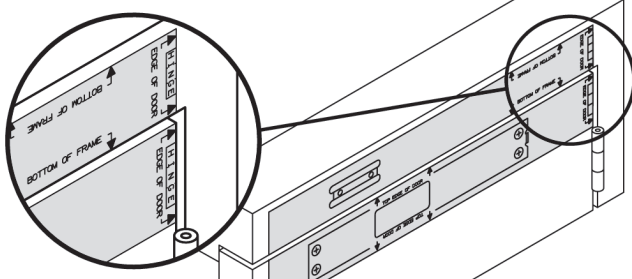
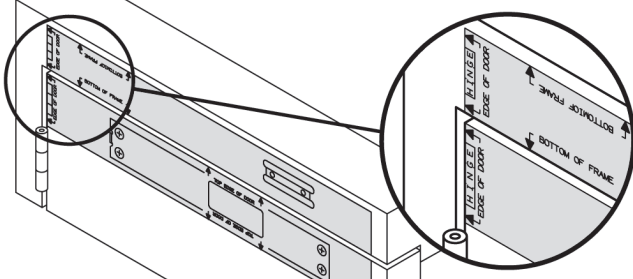


**PULL SIDE - REGULAR APPLICATION (FIG. 1)**

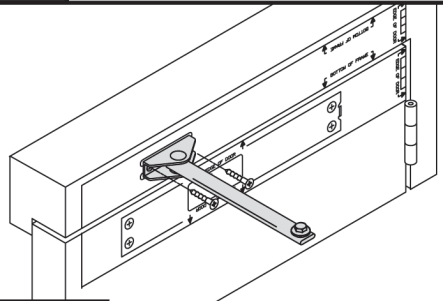
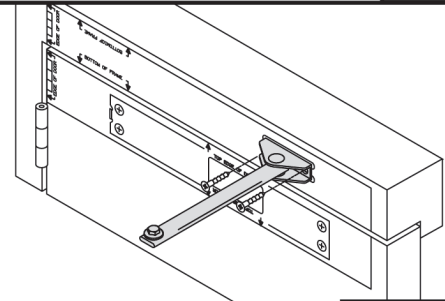
ANGLE OF OPENING 180° SUBJECT TO HINGE & SURROUNDING STRUCTURE

**R.H. DOOR**

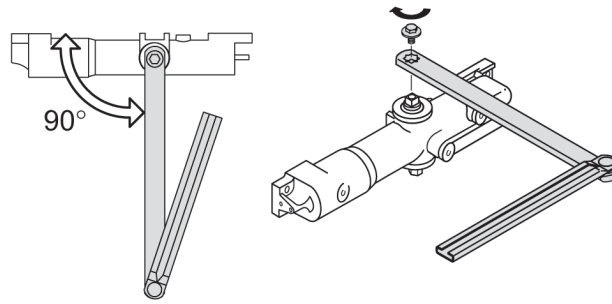
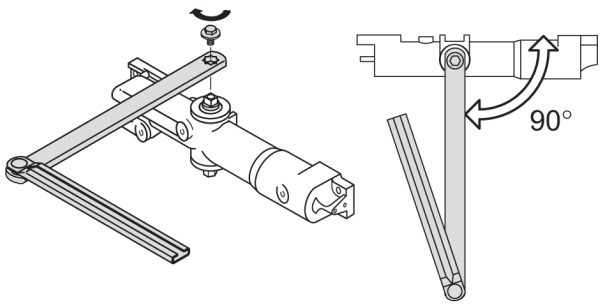
**L.H. DOOR**



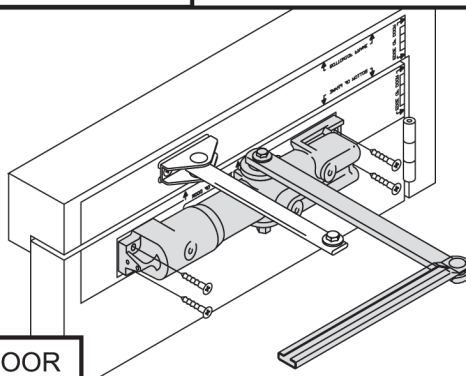
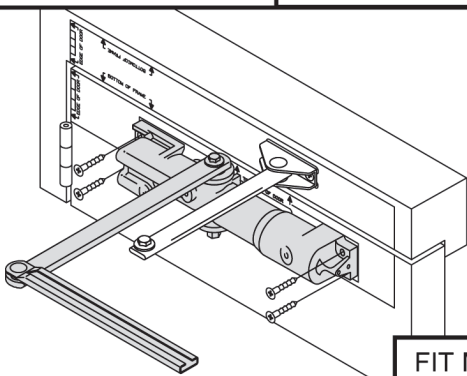
**1** PEEL TEMPLATES OFF BACKING PAPER  
POSITION ON DOOR/FRAME  
PILOT DRILL 6 HOLES **1**



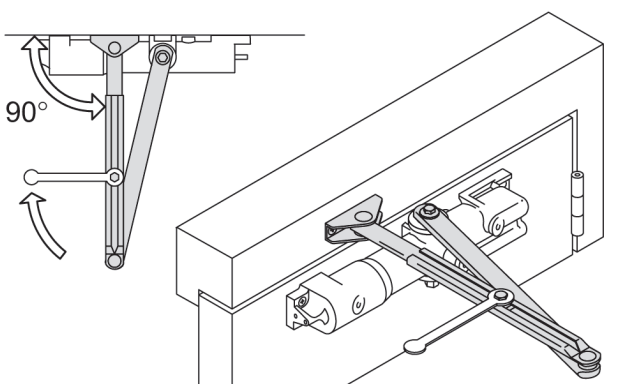
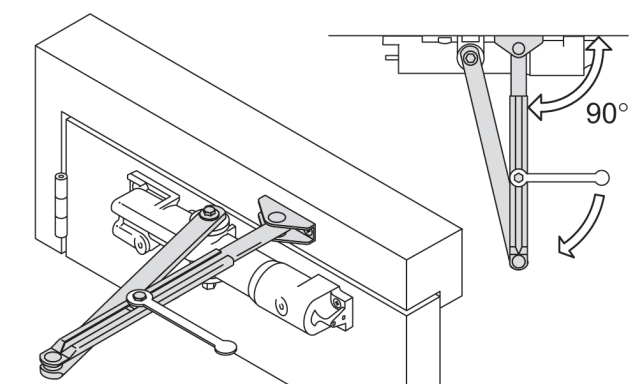
**2** FIT BRACKET ASSEMBLY (2 SCREWS) **2**



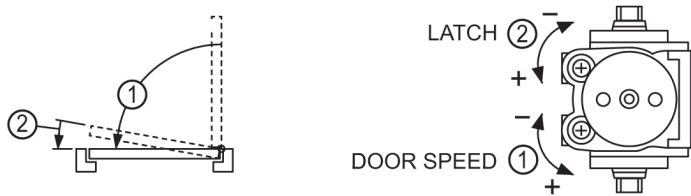
**3** FIT MAIN ARM ASSEMBLY TO MECHANISM (90°)  
SECURELY TIGHTEN FIXING SCREW **3**



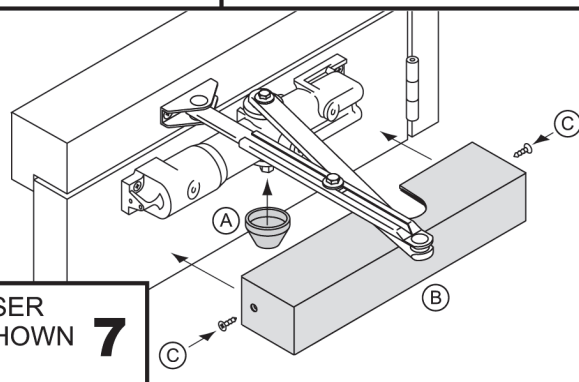
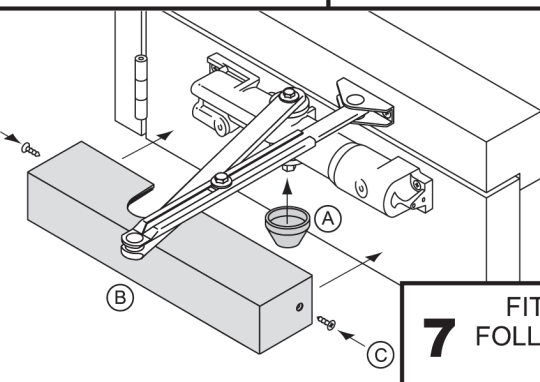
**4** FIT MECHANISM ASSEMBLY TO DOOR  
AND SECURE (4 SCREWS)  
PEEL OFF TEMPLATES **4**



**5** OPEN DOOR TO ENGAGE SECONDARY ARM STRIP AND TUBE  
CLOSE DOOR AND SET SECONDARY ARM AT 90° TO DOOR FACE  
SECURELY TIGHTEN CLAMP BOLT WITH SPANNER **5**



**6** IF NECESSARY ADJUST DOOR SPEEDS **6**



**7** FIT COVER TO CLOSER  
FOLLOWING STEPS SHOWN **7**  
(2 SCREWS)

CLOSER POWER

DOOR SIZE

**#1**

20kg

750 MAX

**#2**

40kg

850 MAX

**#3**

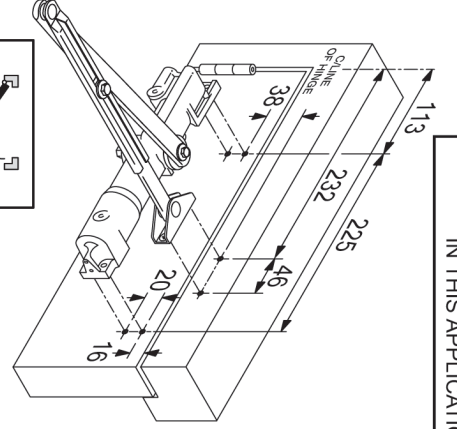
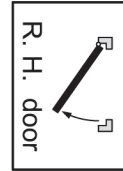
60kg

950 MAX

**#4**

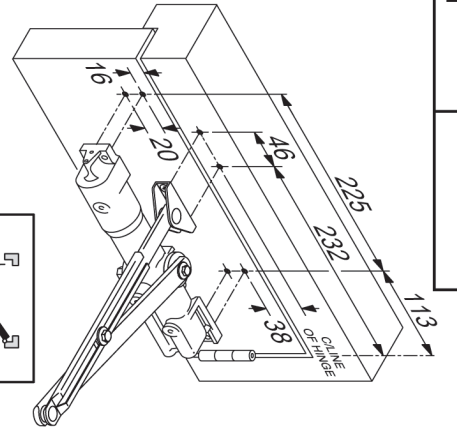
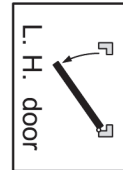
80kg

1100 MAX



**REGULAR FIXING (FIG.1)**  
NOTE! NO POWER SIZE REDUCTION  
IN THIS APPLICATION

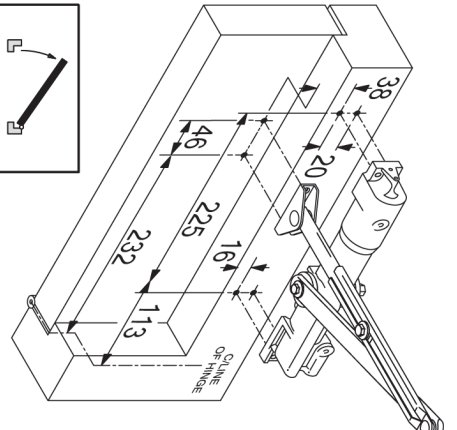
FIG.1 SIZE 3  
FIG.1 SIZE 4



**FOR TRANSSOM AND PARALLEL ARM INSTALLATION PROCEDURE SEE OVERLEAF**  
MAINTENANCE (Quarterly)

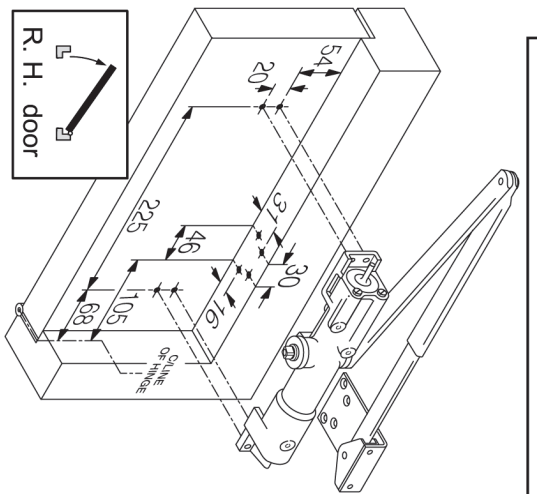
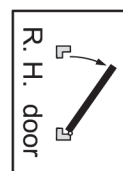
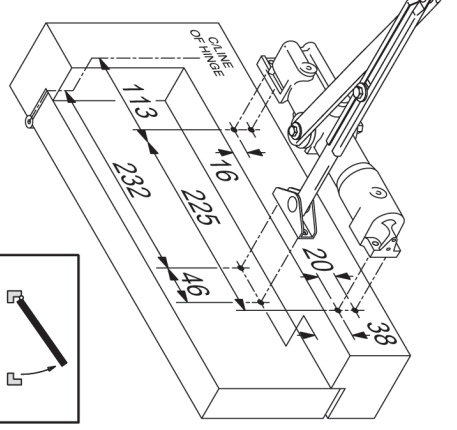
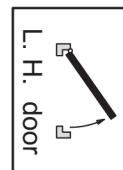
Check that the door closer closes the door correctly and fixing screws are tight.  
Periodically apply light oil to arm knuckle joints and door hinges.

NOTE - all dimensions are in millimetres



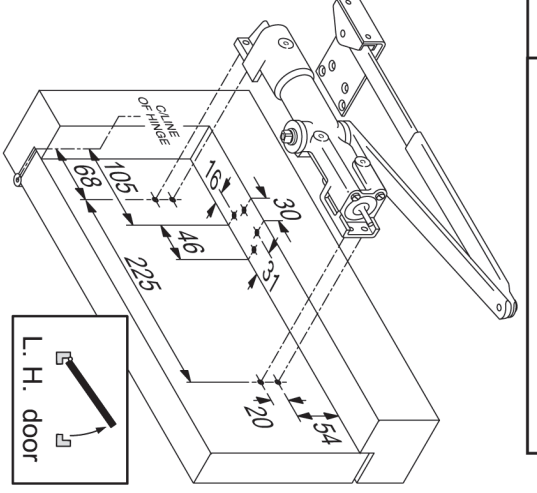
**TRANSSOM FIXING (FIG.61)**  
NOTE! NO POWER SIZE REDUCTION  
IN THIS APPLICATION

FIG.1 SIZE 3 = FIG.61 SIZE 3  
FIG.1 SIZE 4 = FIG.61 SIZE 4



**PARALLEL ARM FIXING (FIG.66)**  
NOTE! POWER SIZE REDUCTION  
IN THIS APPLICATION

FIG.1 SIZE 3 = FIG.66 SIZE 1  
FIG.1 SIZE 4 = FIG.66 SIZE 2

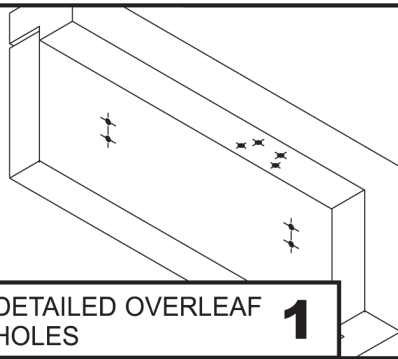
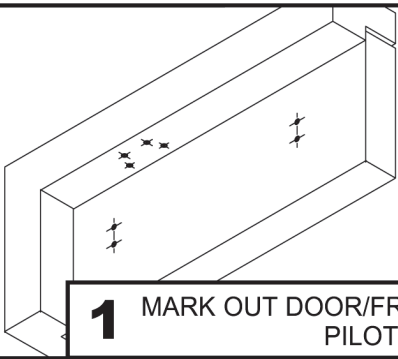


**PUSH SIDE - PARALLEL ARM APPLICATION (FIG.66)**

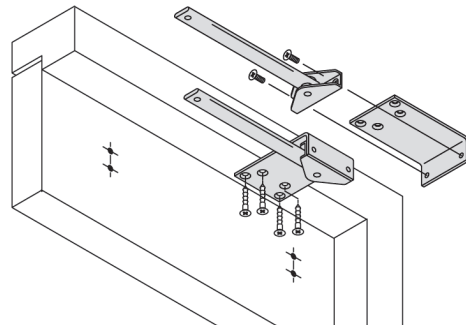
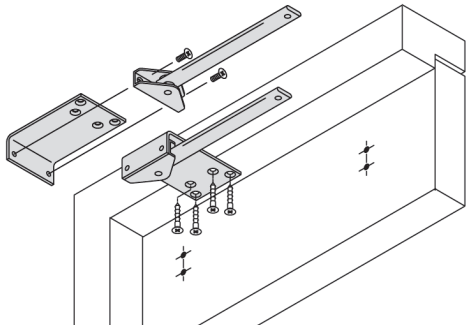
ANGLE OF OPENING 180° SUBJECT TO HINGE & SURROUNDING STRUCTURE

**L.H. DOOR**

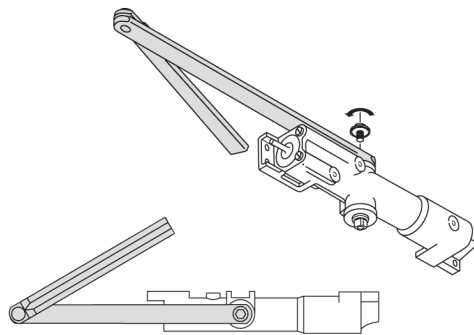
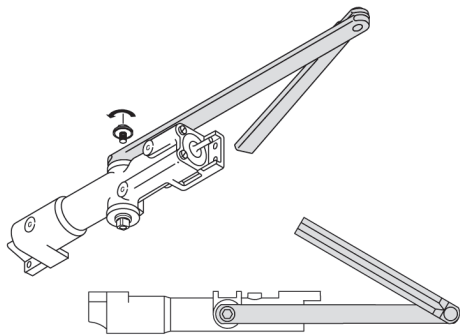
**R.H. DOOR**



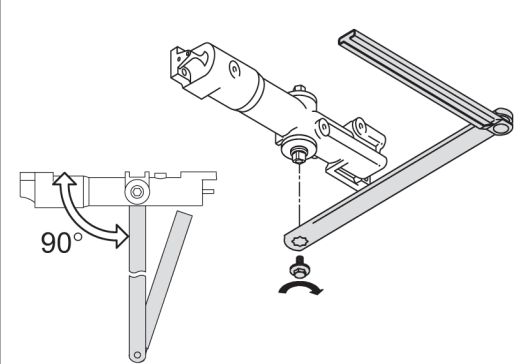
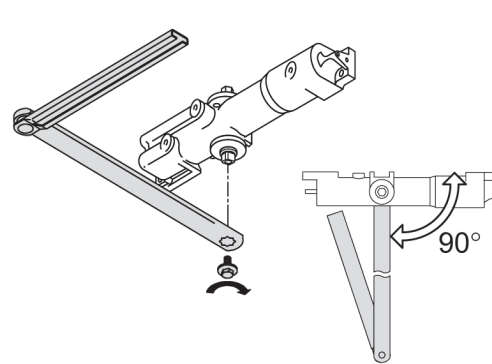
**1** MARK OUT DOOR/FRAME AS DETAILED OVERLEAF  
PILOT DRILL 8 HOLES **1**



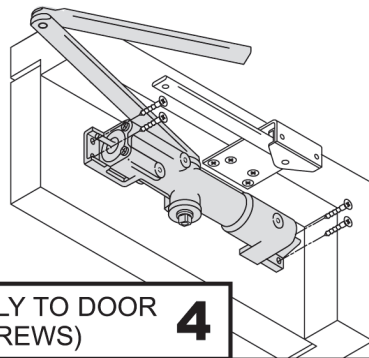
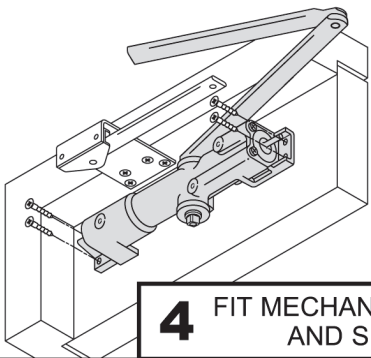
**2** FIT ARM BRACKET ASSEMBLY TO FIG.66 BRACKET (2 SCREWS)  
FIT BRACKET ASSEMBLY TO FRAME (4 SCREWS) **2**



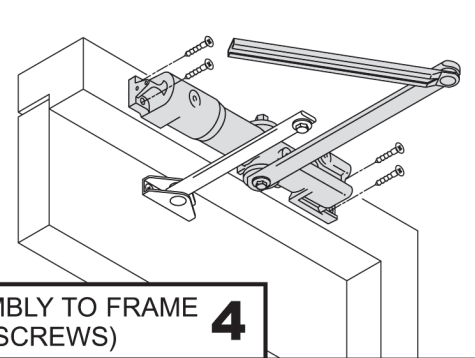
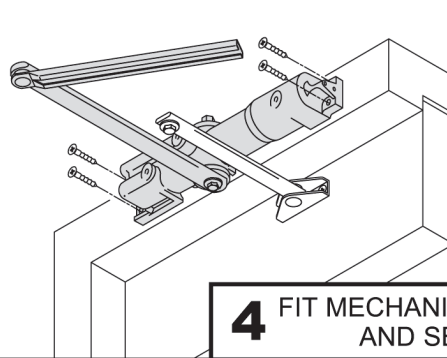
**3** FIT MAIN ARM ASSEMBLY TO MECHANISM  
SECURELY TIGHTEN FIXING SCREW **3**



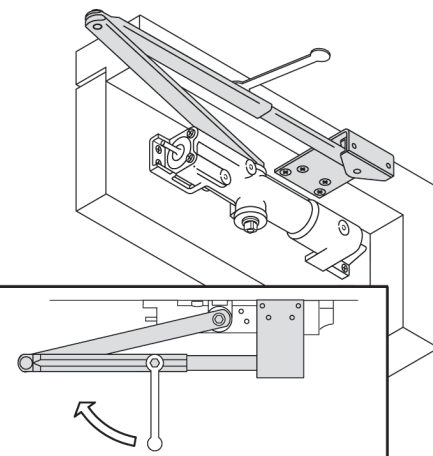
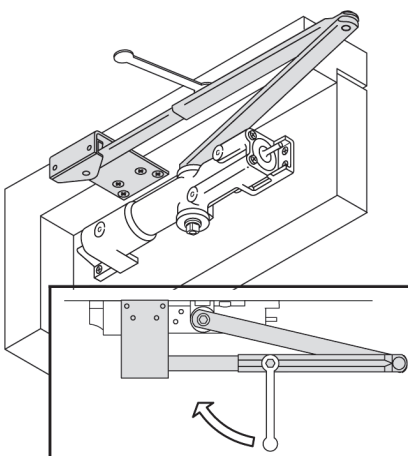
**3** FIT MAIN ARM ASSEMBLY TO MECHANISM (90°)  
SECURELY TIGHTEN FIXING SCREW **3**



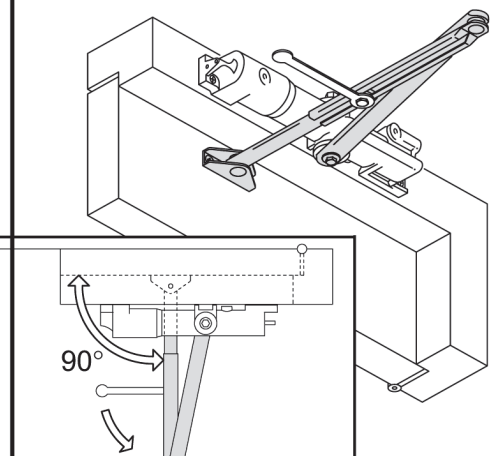
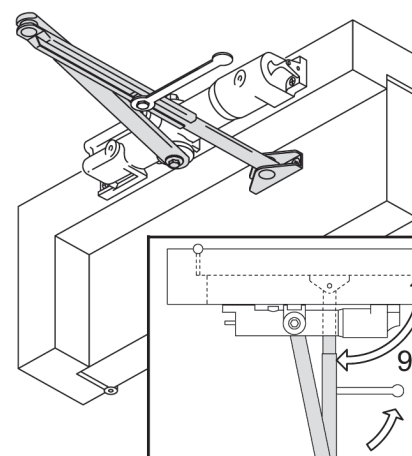
**4** FIT MECHANISM ASSEMBLY TO DOOR  
AND SECURE (4 SCREWS) **4**



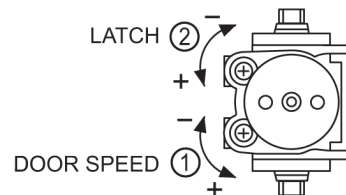
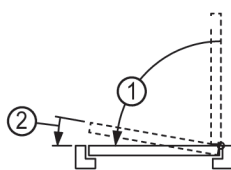
**4** FIT MECHANISM ASSEMBLY TO FRAME  
AND SECURE (4 SCREWS) **4**



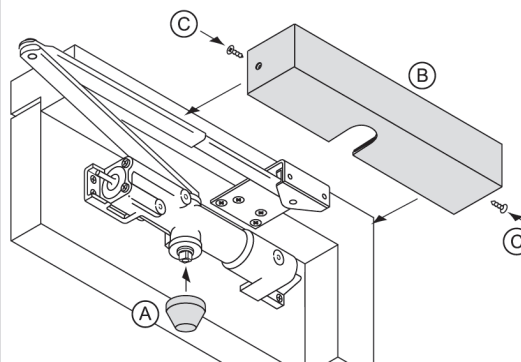
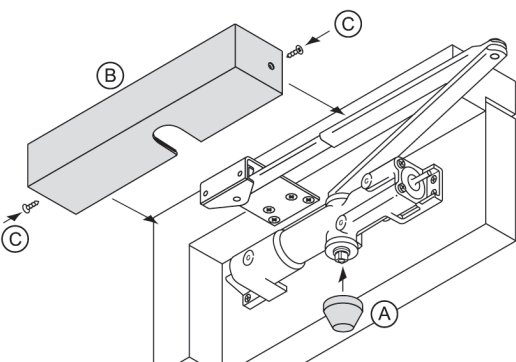
**5** OPEN DOOR TO ENGAGE SECONDARY ARM STRIP AND TUBE  
CLOSE DOOR AND SET ARMS AS SHOWN ABOVE  
SECURELY TIGHTEN CLAMP BOLT WITH SPANNER **5**



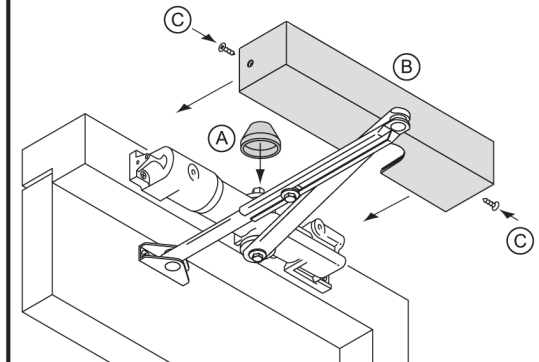
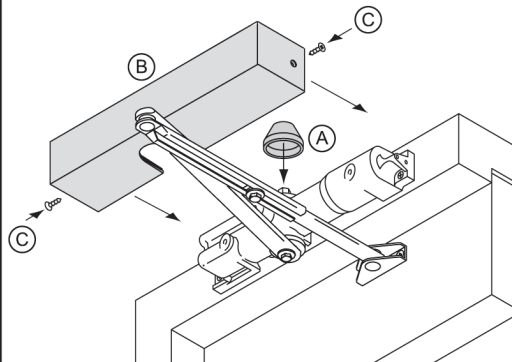
**5** OPEN DOOR TO ENGAGE SECONDARY ARM STRIP AND TUBE  
CLOSE DOOR AND SET SECONDARY ARM AT 90° TO DOOR FACE  
SECURELY TIGHTEN CLAMP BOLT WITH SPANNER **5**



**6** IF NECESSARY ADJUST DOOR SPEEDS **6**



**7** FIT COVER TO CLOSER FOLLOWING STEPS SHOWN (2 SCREWS) **7**



**7** FIT COVER TO CLOSER FOLLOWING STEPS SHOWN (2 SCREWS) **7**