

- Market leading aesthetically pleasing 3D Hinge
- 3 way adjustment combining product excellence with ease of fabrication
- Hinge to suit rebate heights 12-16mm+ (19mm with packers)
- Simple allen key adjustment enables door movement to be compensated for without the need of an installation engineer
- Available in White, Black, Brown, Caramel, Champagne Gold, Chrome & Flint

## Technical Information

### Assessment Data

**Performance:** Endurance tested to 100,000 operations,

Load tested to 100kg on 3 hinges

**Corrosion resistance:** All finishes meet the requirements of BS EN 1670:2007 - grade 5 (500 hrs Salt Spray)

### Material Specifications

**Hinge leaf, plate & body:** Zinc Alloy BS1004A

**Top/Bottom Nylon Bush:** Nylon 6

**Screws & Pins:** Stainless Steel

**Powder Coating:** White, Black, Brown & Caramel, 60 microns min coating thickness

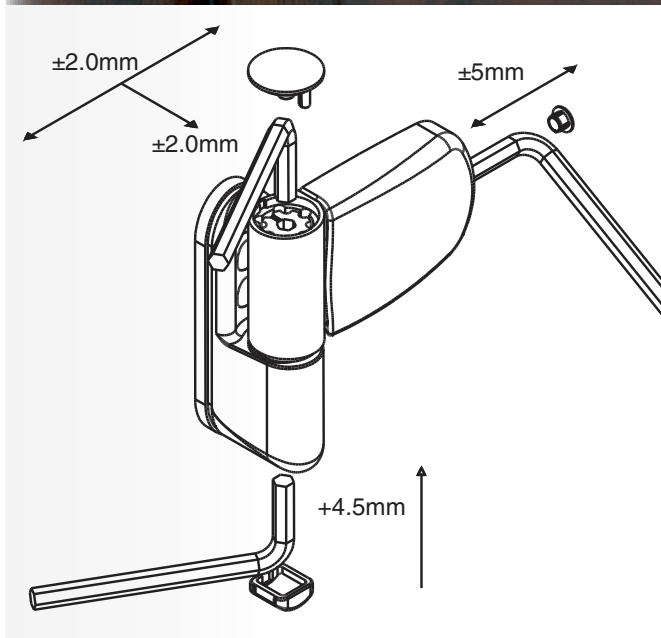
**PVD/Chrome Coating:** Champagne Gold/Chrome/Flint, multiple layer plating process

### Additional Information

**Multipacks:** Packs of 24 available in HET variant (Add MP to end of code)

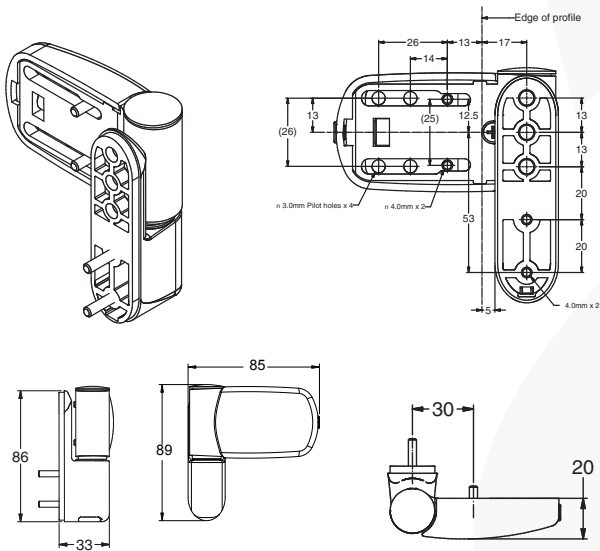
**JIG:** MTJIG

**Box Quantity:** Outer Box: 20, Packaged Single

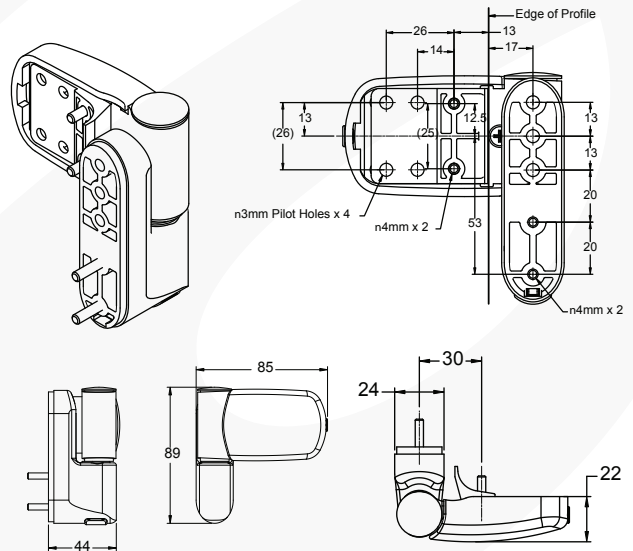


MINI 3D HINGE - DIMENSIONS

Standard Mini 3D Hinge



Synseal Type Mini 3D Hinge



PRODUCT CODES

SYNSEAL VARIANT	STANDARD	FINISH
(ADD ONE OPTION TO THE BEGINNING OF THE CODE)		
SY3D	MT3D	WH
SY3D	MT3D	BL
SY3D	MT3D	BR
SY3D	MT3D	C
SY3D	MT3D	CG
SY3D	MT3D	CH
SY3D	MT3D	FL

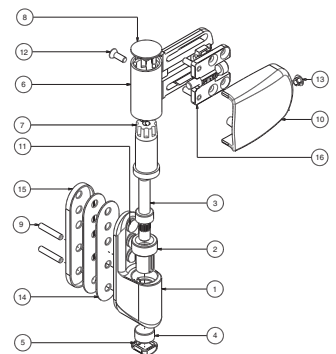
i.e: MT3DWH = White, Mini 3D Hinge  
SY3DWH = White, Synseal Type Mini 3D Hinge

Key to product codes

<b>Finish:</b>	C - Caramel
WH - White	CH - Chrome
BL - Black	CG - Champagne Gold
BR - Brown	FL - Flint

Parts List

- 1). Hinge Body
- 2). Body Sleeve
- 3). Straight Pin
- 4). Adjustment Screw
- 5). Bottom Cover Cap (XX3DHINGE009)**
- 6). Hinge Leaf
- 7). Leaf Sleeve
- 8). Top Cover Cap (XX3DHINGE008)**
- 9). Pin 2
- 10). Hinge Leaf Cover
- 11). Screw Hole Cover (XX3DHINGE011)**
- 12). Screw - CSK, M4 x 12mm
- 13). Leaf Cover Cap (XX3DHINGE013)**
- 14). 1mm Shim (XX3DHINGE015)**  
**5mm Shim (XX3DHINGE037)**
- 15). Shoe Cover (XX3DHINGE016)**
- 16). Standard MT Hinge Carriage



The parts marked in bold can be ordered as spare/replacement items

XX to be replaced with coating Prefix as listed opposite,  
i.e. WH3DHINGE015 = White 1mm Shim for MT 3D Hinge

Contact your Avocet Sales Advisor for more information